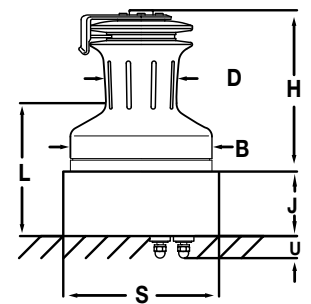




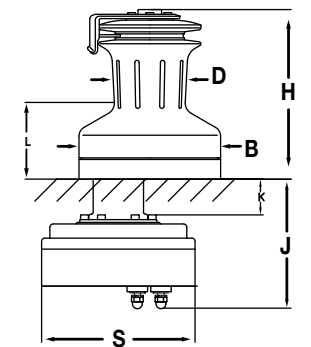
Compact Electric Variable Speed Winches – Above Deck

Winch Model	Drum "D" [mm]	Base "B" [mm]	Height "H" [mm]	Line entry "L" [mm]	Line size [mm]	Weight [kg]	Max deck "K" [mm]	Motor height "J" [mm]	Motor dim "S" [mm]	Motor dept "U" [mm]	Art. No. 12V	Art. No. 24V
28 STE	70	125	151	151	8-14	16	45	86	200	40-75	2028005100	2028005200
40 STE	75	152	174	157	8-14	17	45	86	200	40-75	2040005100	2040005200
46 STE	89	180	209	175	8-14	19	45	85	200	40-75	2046005100	2046005200
52 STE	100	200	228	191	8-16	29	45	85	255	40-75	2052005100	2052005200
58 STE	115	230	257	196	8-18	34	45	85	255	40-75	2058005100	2058005200
62 STE	115	230	257	196	8-18	34	45	85	255	40-75	2062005100	2062005200
68 STE	140	280	280	208	10-18	51	45	88	282	40-75	2068005100	2068005200
72 STE	140	280	280	208	10-18	51	45	88	282	40-75	2072005100	2072005200



Compact Electric Variable Speed Winches – Below Deck

Winch Model	Drum "D" [mm]	Base "B" [mm]	Height "H" [mm]	Line entry "L" [mm]	Line size [mm]	Weight [kg]	Max deck "K" [mm]	Motor dept "J" [mm]	Motor dim "S" [mm]	Art. No. 12V	Art. No. 24V
28 STE	70	125	159	73	8-14	17	54	180	195	2028004100	2028004200
40 STE	75	152	182	79	8-14	18	54	180	195	2040004100	2040004200
46 STE	89	180	209	90	8-14	21	62	188	195	2046004100	2046004200
52 STE	100	200	238	116	8-16	30	48	174	250	2052004100	2052004200
58 STE	115	230	267	121	8-18	36	48	174	250	2058004100	2058004200
62 STE	115	230	267	121	8-18	36	48	174	250	2062004100	2062004200
68 STE	140	280	290	130	10-18	45	52	178	250	2068004100	2068004200
72 STE	140	280	290	130	10-18	45	52	178	250	2072004100	2072004200



Note! Larger "K" measurements are available as an option

Size Does Matter

Experience Empowerment

Choosing the right equipment is an important job. It requires more than just adding a motor. Careful consideration should be given to all factors that have an impact on your sailing experience: boat size, sailing conditions, crew and convenience. Often, the choice is more complex than just the size of the motor. The source of power is also important. Hydraulic or electric — or manual for starters, and then growing with the challenge — the choice is yours.

The latest addition to our range of uncompromising electrical winches is the ANDERSEN Variable-speed COMPACT Motor[®]. ANDERSEN Variable-speed COMPACT Motor is especially developed for use as a winch motor. It is available in two versions; Below Deck, with smaller, built-in dimensions than a standard motor and Above Deck, featuring the winch mounted directly on the motor for deck or mast

installation. This motor is highly efficient, with an impressive line speed and first-rate maximum load. The unit is extremely easy to install and is of course compatible with the ANDERSEN Modular Power System[®]. This motor demonstrates why ANDERSEN Products[®] are in a class of their own. When we say COMPACT, we mean COMPACT — We developed the motor with the size and shape of a winch in mind and then integrated the motor, gears and power control to make one COMPACT unit. That means no extra control boxes, all cables are connected directly to the unit. The motor is built on an entirely new commutator principle using no carbon brushes, resulting in the virtual elimination of wear and tear. This new approach to motors also provides other advantages; including 30-50% less power consumption compared to a conventional electric motor.

SE 2+1 Electric Winches

Winch Model	Gear type	Drum "D" [mm]	Base "B" [mm]	Height "H" [mm]	Line entry "L" [mm]	Line size [mm]	Weight [kg]	Max deck "K" [mm]	Motor dept "J" [mm]	Gear length "S" [mm]	Motor length "N" [mm]	Art. No. 12V	Art. No. 24V
28 STE	2+1	70	125	159	73	8-14	17	49	180	64	240	2028001100	2028001200
40 STE	2+1	75	152	182	79	8-14	18	49	180	64	240	2040001100	2040001200
46 STE	2+1	89	180	209	90	8-14	20	57	188	64	240	2046001100	2046001200
52 STE	2+1	100	200	238	116	8-16	24	43	174	64	249	2052001100	2052001200
58 STE	2+1	115	230	267	121	8-18	34	43	201	81	311	2058001100	2058001200
62 STE	2+1	115	230	267	121	8-18	34	43	201	81	311	2062001100	2062001200
68 STE	2+1	140	280	290	130	10-18	41	43	201	81	311	2068001100	2068001200
72 STE	2+1	140	280	290	130	10-18	41	43	201	81	311	2072001100	2072001200

Note! Larger "K" measurements are available as an option

2+2 Electric Winches

Winch Model	Gear type	Drum "D" [mm]	Base "B" [mm]	Height "H" [mm]	Line entry "L" [mm]	Line size [mm]	Weight [kg]	Max deck "K" [mm]	Motor dept "J" [mm]	Gear length "S" [mm]	Motor length "N" [mm]	Art. No. 12V	Art. No. 24V
46 STE	2+2	89	180	209	90	8-14	29	74	200	100	288	2046002100	2046002200
52 STE	2+2	100	200	238	116	8-16	33	60	186	100	288	2052002100	2052002200
58 STE	2+2	115	230	267	121	8-18	40	60	193	100	325	2058002100	2058002200
62 STE	2+2	115	230	267	121	8-18	40	60	193	100	325	2062002100	2062002200
68 STE	2+2	140	280	290	130	10-18	51	60	193	100	325	2068002100	2068002200
72 STE	2+2	140	280	290	130	10-18	51	60	193	100	325	2072002100	2072002200
78 STE FS	2+2	170	320	375	170	16-22	91	95	275	150	490	n/a	2078012200
110 STE FS	2+2	250	395	426	170	16-25	136	74	390	125	500	n/a	2110012200

Note! Larger "K" measurements are available as an option

