

# Standard

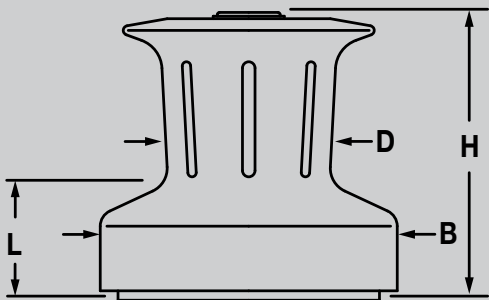
## Uncompromising Quality



### Standard Winches

Winch Model	Drum "D" [mm]	Base "B" [mm]	Height "H" [mm]	Line entry "L" [mm]	Weight [kg]	Gear Ratio 1 <sup>st</sup> speed	Gear Ratio 2 <sup>nd</sup> speed	Power Ratio 1 <sup>st</sup> speed	Power Ratio 2 <sup>nd</sup> speed	Art. No. Standard
10	57	92	89	28	1.1	1.0:1	n/a	9.5:1	n/a	500010
16	60	114	110	45	2.6	1.0:1	2.0:1	8.3:1	16.6:1	500016
28	70	124	126	53	3.3	1.0:1	4.0:1	7.1:1	28.6:1	500028
40	76	136	140	63	3.9	1.0:1	6.4:1	6.5:1	42.5:1	500040
46	78	143	140	63	4.0	1.0:1	6.4:1	6.4:1	45.6:1	500046
58	115	230	220	100	14.4	3.7:1	13.1:1	16.1:1	57.7:1	500058

# Winches



Small yachts need quality winches just as much as large yachts. The crews of small yachts also need to economize on manpower, and there is a need for positive sheet adjustment. Uncompromising quality is an ANDERSEN Winches<sup>®</sup> hallmark that starts with standard winches. Manufactured in stainless steel, these all feature the Power Rib<sup>®</sup> to facilitate winching under all conditions and circumstances.