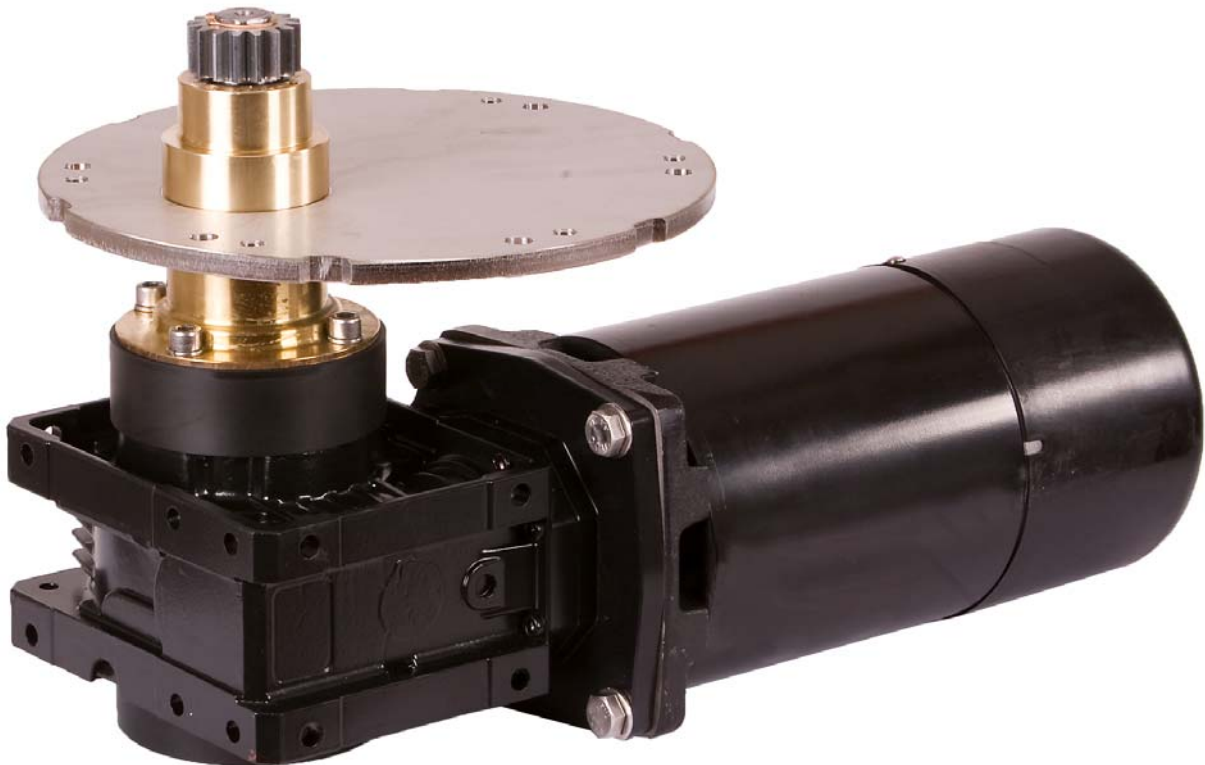


# Manual CAPSTAN C2000 E

24V

**GENEAL INFORMATION**  
**MOUNTING INSTRUCTION**  
**EXPLODED VIEW**  
**PARTS LIST**  
**CONNECTING DIAGRAM**  
**WIRE DIMENSION AND FUSE SIZE, LINESPEED**  
**WORLD WIDE DISTRIBUTION LIST**



SERIAL NO: PS \_\_\_\_\_

Varenr. 710476  
02-03-2010

*Sail Handling by*  
 **ANDERSEN**  
Stainless Steel Winches

Stainless Steel Winches

You have purchased an ANDERSEN high quality winch. This product is a result of many years of development and experience in producing winches for sailboats. This winch gives you a high degree of functionality and many years of safe and easy sail handling.

## GENERAL INFORMATION

PLEASE READ THIS BEFORE INSTALLING YOUR ANDERSEN ELECTRIC WINCH.

**The electric ANDERSEN winch has some built-in advantages:**

- Easy to fit on your boat.
- Template included.
- Special tools included.
- Electric unit in turn able in 8 horizon table steps (45°).
- Easy to dismantle. Winch and electric unit can be dismantled separately.
- Winch in the usual high **ANDERSEN** quality, featuring drum, bearings etc. of stainless steel.
- MODULAR POWER SYSTEM: Always the possibility of changing to a hydraulic drive unit.
- 

### **Mounting installation:**

Follow mounting instructions on next page:

Ensure that each hole in the deck is bedded, including the big hole in the center.

**IMPORTANT:** Be careful not to put bedding compound IN the thread holes in the deck plate.

Ensure that the sealing ring (O-ring) on top of the gear unit is placed in its groove.

### **Electric Installation:**

Follow mounting instructions on next page and Wire dimensions & fuse sizes on last page.

**WARNING:** Do not use smaller wire, than recommended in the diagram. This can cause malfunction of the winch and in worst case; FIRE. The wire should always be as short as possible.

### **Normal Use:**

The electric motor has built-in overload circuit breaker, which breaks the circuit, before the motor gets too hot.

After a short period of cooling, depending on temperature under deck, ventilation etc., the winch will be ready for electrical operation again.

### **General Service Instructions:**

The electric drive unit is lubricated sealed and requires no further maintenance.

The part *on* deck is a capstan winch, and needs regular service. We recommend dismantling, cleaning and lubrication *once* a year. Under extensive use, such as charter or blue water sailing, we recommend to make a further lubrication check during the one year period.

We strongly recommend always to use ANDERSEN WINCH GREASE when lubricating your winch.

ANDERSEN WINCH GREASE is a high quality silicon/Teflon® grease.

# MOUNTING INSTRUCTION

## CAPSTAN C2000 E

FIG.1

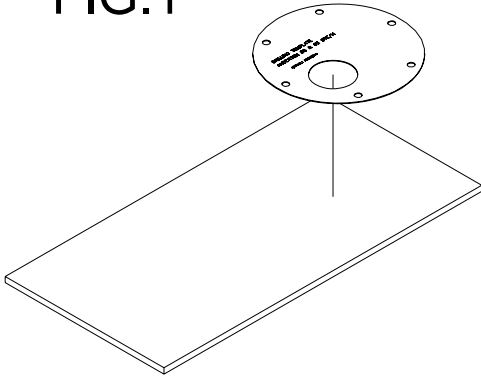


FIG.2

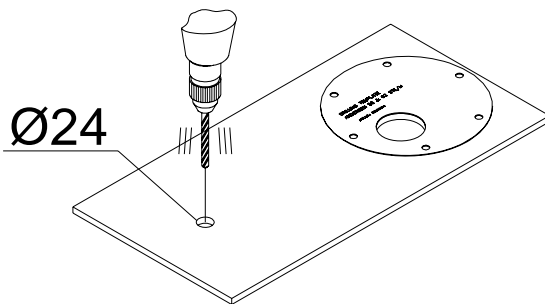


FIG.4

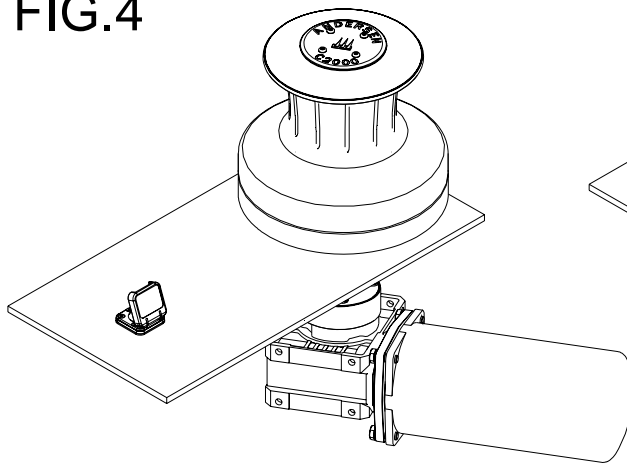
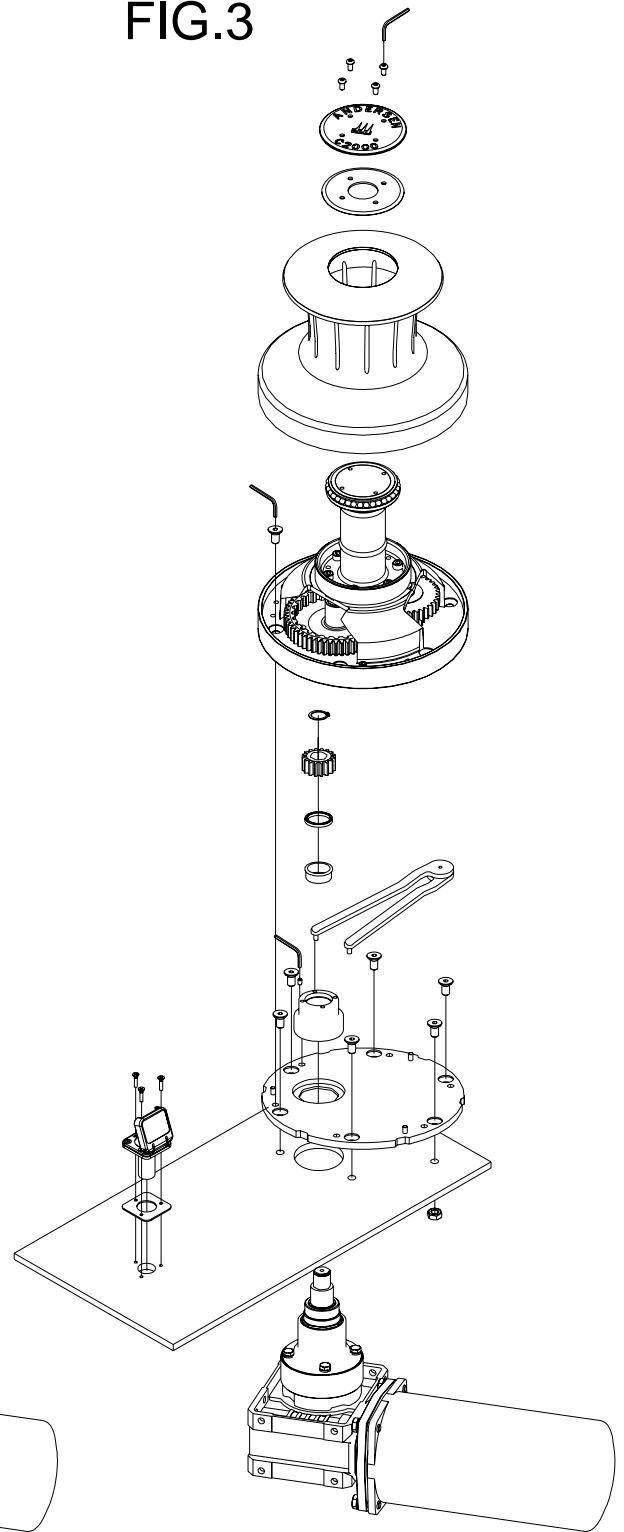
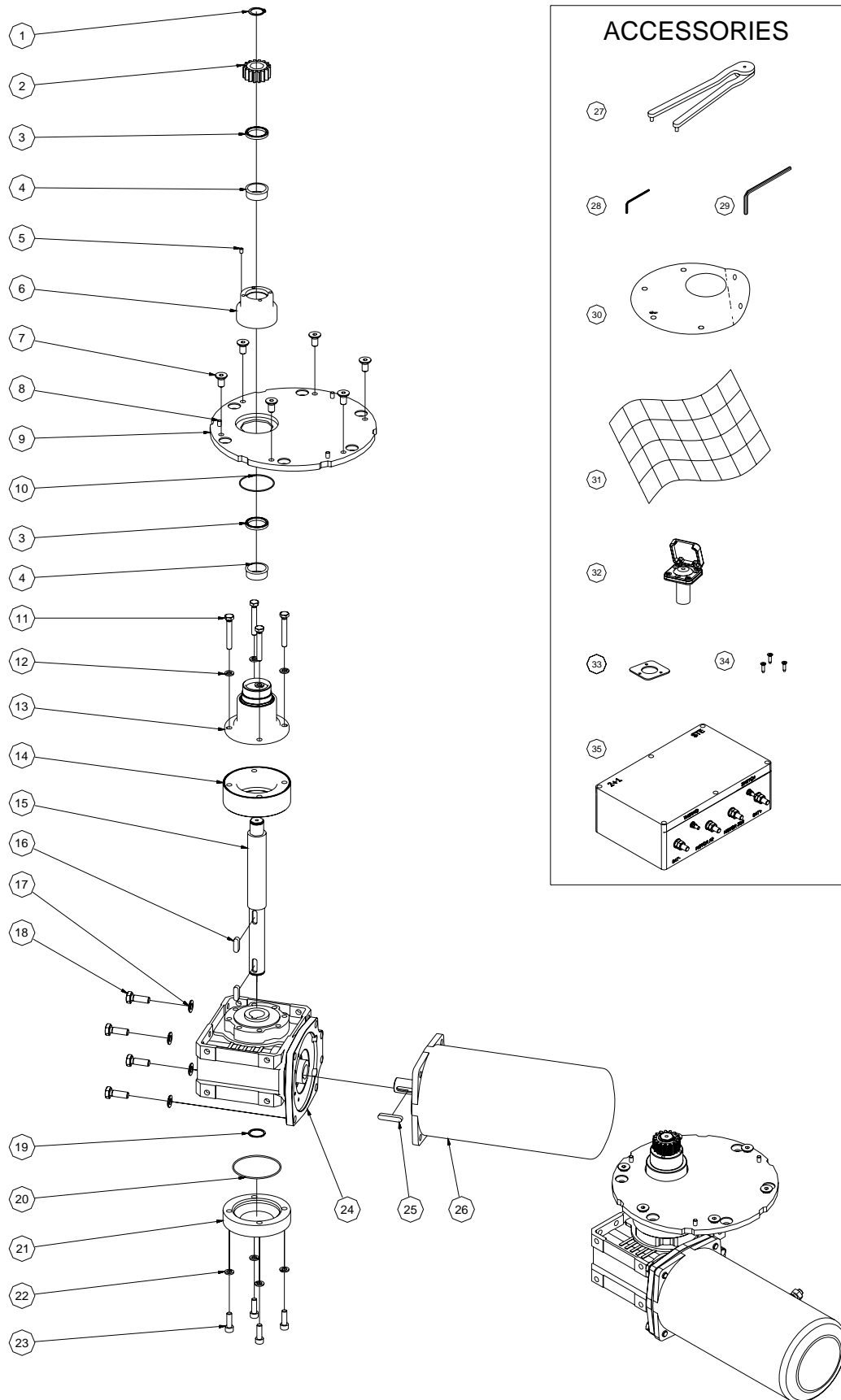


FIG.3



# EXPLODED VIEW

## CAPSTAN C2000 E



Varenr. 710476  
02-03-2010

# PARTS LIST

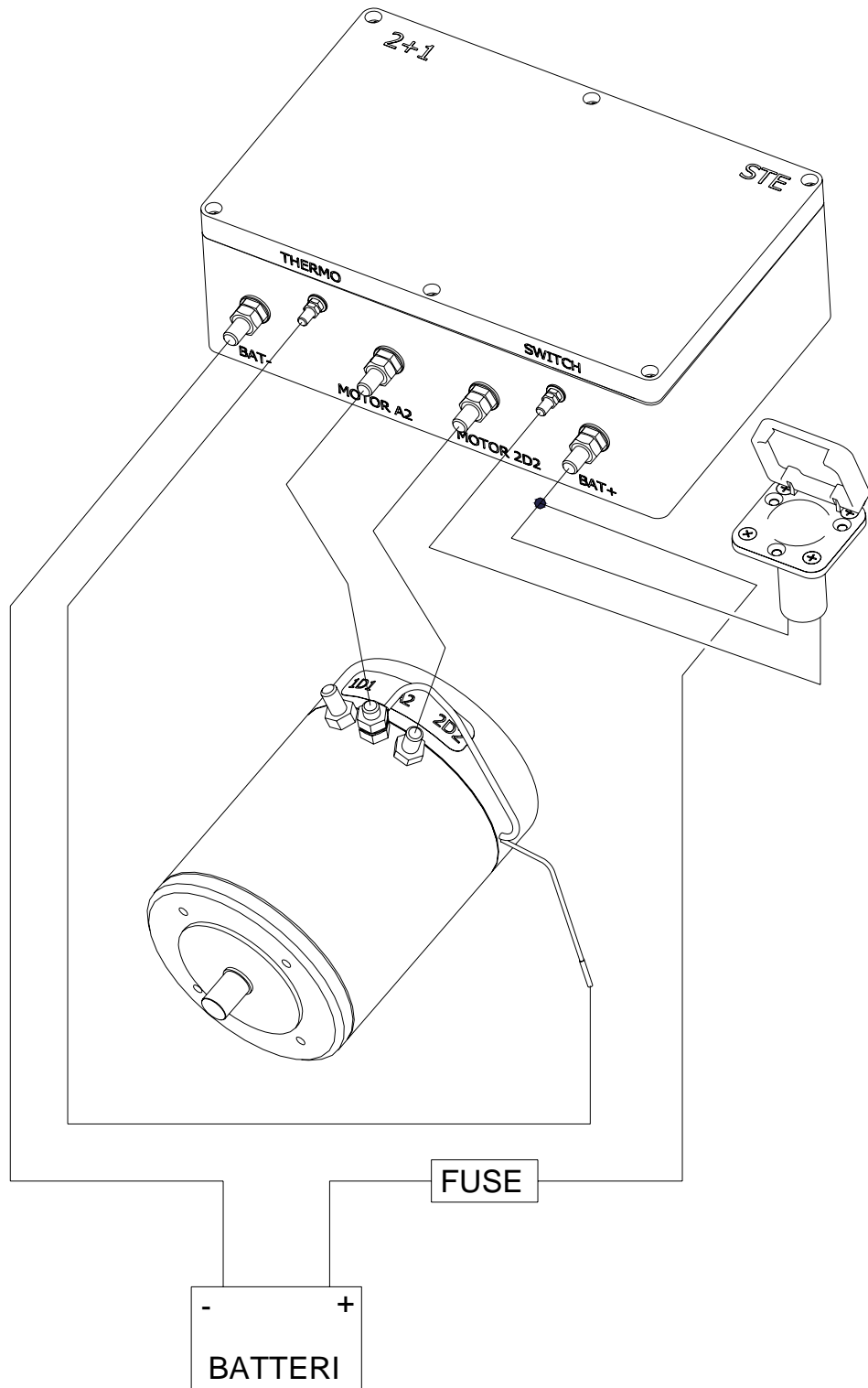
## CAPSTAN C2000 E

POS	QTY	ART. NO.	DESCRIPTION
1	1	DIN471-A22-31	Circlip
2	1	980950	Gear wheel
3	2	RD100169	Sealing Ring
4	2	823100	Bushing
5	1	DIN916-A4-M5X8	Screw
6	1	584505	Nut
7	6	DIN7991-A4-M10x20	Screw
8	3	860300	Pin
9	1	740250	Deckplate
10	1	RD100074	O-Ring
11	4	DIN912-A4-M8x55	Screw
12	4	DIN127B-A4-Ø8	Washer
13	1	775840	Drive Shaft Housing
14	1	775830	Gear Flange
15	1	745690	Drive Shaft
16	2	DIN6885-A-8X7X25	Key
17	4	DIN125-A4-Ø10,5	Washer
18	4	DIN933-A4-M10x30	Sekskantskruer
19	1	RD829680	Circlip
20	1	RD100792	O-Ring
21	1	776170	Cover
22	4	DIN127B-A4-Ø8	Washer
23	4	DIN912-A4-M8X25	Screw
24	1	776350	Gear Unit
25	1	DIN 6885-A-8x7x40	Key
26	1	RD100887	Motor
27	1	RD738000	Pin Spanner
28	1	593000	Allen key
29	1	592900	Allen key
30	1	RD100886	Template C2000
31	1	RD100029	Switch labels
32	1	RD581900	Switch
33	1	735050	Sealing
34	3	RD100025	Screw
35	1	990224	Controlbox
	1	710476	Manual

# CONNECTING DIAGRAM

## 24V

### CAPSTAN C2000 E



**IMPORTANT:** Do not use connection 1D1

**REMARK:** Fuse must be of a slow blow type

# MINIMUM WIRE DIMENSIONS & FUSE SIZES

(Not for continuous service)

WINCH	WIRE LENGTH*	12V. DC			24V. DC		
		WIRE	FUSE	BAT. CAP.	WIRE	FUSE	BAT. CAP.
C2000 E	0-3 m / 0-10 ft	70 mm <sup>2</sup>	200 A	360 Ah	35mm <sup>2</sup>	125 A	240Ah
	3-8 m / 10-27 ft	95 mm <sup>2</sup>	224 A	360 Ah	50mm <sup>2</sup>	200 A	240Ah

\* WIRE LENGTH is defined as the distance from battery to switch box + the distance from switch box to motor.

IMPORTANT: Fuse must be of a slow blow type.

## CAPSTAN C2000 LINESPEED

CAPSTAN C2000					
Pull (kg)	0	500	1000	1500	2000
Linespeed (m/min)	8	6	5	4	3,6

For current World Wide Distributor list please see:  
[www.andersenwinches.com](http://www.andersenwinches.com)

# Worldwide Distribution

## ANDERSEN Argentina

Argen Mast & Systems s.r.l.  
Av. Tiscomia 963  
(1642) San Isidro  
Buenos Aires  
Tel.: 11 4742 44 62  
Fax: 11 4742 44 62  
E-mail: info@argenmast.com.ar  
Web: www.argenmast.com.ar

## ANDERSEN Australia

Allyacht Spars Australia 1853 Lytton Rd.,  
Lytton  
Queensland  
Australia 4178  
Tel.: 07 3893 2233  
Fax: 07 3893 2478  
E-mail: info@allyachtspars.com.au  
Web: www.allyachtspars.com.au

## ANDERSEN Austria

Robert Lindemann KG  
Wendenstrasse 455  
D-20537 Hamburg  
Tel.: 040 21 11 970  
Fax: 040 21 11 97 30  
E-mail: info@lindemann-kg.de  
Web: www.lindemann-kg.de

## ANDERSEN Belgium

Jupiter Handelsmijl. BVBA  
Helststraat 51/12  
B-2630 Aartselaar  
Tel.: 03 457 43 81  
Fax: 03 457 68 21  
E-mail: info@jachtenjupiter.com  
Web: www.jachtenjupiter.com

## ANDERSEN Canada

Rekord Marine Enterprises Ltd  
8194 Ontario Street  
Vancouver, B.C., V5X 3E3  
Tel.: 604 325 5233  
Fax: 604 325 0326  
Toll free fax: 1-800-663-6424  
E-mail: jeremy@rekord-arine.com  
Web: www.rekord-marine.com

## ANDERSEN Croatia

Navela  
Castropola 54  
HR-52100 Pula  
Croatia  
Tel.: 052 214 542  
Fax: 052 213 558  
E-mail: navela@pu.t-com.hr  
Web: www.navela.hr

## ANDERSEN Czech Republic

Nereide Yachting Ltd.  
Vybiralova 972/70  
CZ-19800 Prague 9  
Tel: 605 25 98 82  
Fax: 257 94 17 84  
E-mail: office@nereide-yachting.com  
Web: www.nereide-yachting.com

## ANDERSEN Denmark

WATSKI A/S  
Savsvinget 4  
DK-2970 Hørsholm  
Tel.: 45 76 40 11  
Fax: 45 76 40 12  
E-mail: kontaktdk@watski.com  
Web: www.watski.dk

## ANDERSEN Finland

Ky Jotiko-Marine Kb  
Unioninkatu 45  
SF-00170 Helsinki  
Tel.: 103 870 500  
Fax: 103 870 509  
E-mail: info@jotiko-marine.com  
Web: www.jotiko-marine.com

## ANDERSEN France

Greement Import – Head office:  
13 rue du Chêne Lassé  
Z.I. BP 284  
44803 Saint Herblain  
Tel.: 02 28 03 01 01  
Fax: 02 28 03 19 91  
E-mail: contact@greementimport.fr  
Web: www.greementimport.fr

## ANDERSEN Germany

Herman Gotthardt GmbH  
Leunastrasse 50  
D-22761 Hamburg  
Tel.: 040 851 50 50  
Fax: 040 850 91 33  
E-mail: info@gotthardt-yacht.de  
Web: www.gotthardt-yacht.de

## ANDERSEN Great Britain

IMP  
Jarman Way  
Royston  
Hertfordshire SG8 5HW  
Tel.: 01 763 241 300  
Fax : 01 763 241 770  
E-mail: sales@improducts.co.uk  
Web: www.improducts.co.uk

## ANDERSEN Greece

Meltemi Yachting Ltd.  
4, Metamorfoseos st Alimos  
GR-17455 Athens  
Tel.: 210 9849983  
Fax: 210 9844356  
E-mail: info@meltemi-yachting.gr  
Web: www.meltemi-yachting.gr

## ANDERSEN Hong Kong

Storm Force Marine Ltd  
1204 Dominion Centre  
43-53 Queens Road East  
Wanchai, Hong Kong  
Tel.: +852 2866 0114  
Fax: +852 2866 9260  
E-mail:simon@stormforcemarine.com  
Web:www.stormforcemarine.com

## ANDERSEN Hungary

Marina Yacht Sport  
Bécsi út 118, H-1037Budapest  
Tel.: 1 322 86 55  
Fax: 1 322 9834  
E-mail: iroda@marina.hu  
Web: www.marina.hu

## ANDERSEN Italy

TOMASONI TOPSAIL S.p.A.  
Via E.Toti 55  
16035 Rapallo (GE)  
Tel.: 0185 2001  
Fax: 0185 263 160  
E-mail: vela@tomasoni.com  
Web: www.tomasoni.com/tecnico

## ANDERSEN Netherlands

Nautec Engineering B.V.  
Muyteweg 17  
6075 AM Herkenbosch  
Tel.: 0475 537760  
Fax: 0475 537759  
E-mail: info@nautec.nl  
Web: www.nautec.nl

## ANDERSEN New Zealand

Nordic Marketing Ltd.  
P.O. Box 100669  
NSPS, North Shore City  
Tel.: 09 488 7605  
Fax: 09 488 7608  
E-mail: nordic@xtra.co.nz  
Web: www.nordic.co.nz

## ANDERSEN Norway

Skaane Marine AS  
Bromsveien 5  
N-3183 Horten  
Tel.:33 02 05 90  
Fax:33 02 05 99  
E-mail: post@skaane.no  
Web: www.skaane.no

## ANDERSEN Poland

Sail Service  
ul.Sienna 45  
80-605 Gdansk  
Tel.: 58 3 222 822  
Fax: 58 3 222 802  
E-mail: office@sailservice.com.pl  
Web: www.sailservice.com.pl

## ANDERSEN Portugal

Just Boats  
Lote 32, Urb. Goldra  
8100-263 Loulé  
Tel.: 289 994 204  
Fax: 289 994 485  
E-mail: info@just-boats.net  
Web: www.just-boats.net

## ANDERSEN Russia

Yachtglanz - Marine Equipment  
Portugiesischer Weg 14  
D-44143 Dortmund  
Tel.: +49 (0)231 996 48 35  
Fax: +49 (0)231 530 74 47  
E-mail: info@yachtglanz.com  
Web: www.yachtglanz.com

## ANDERSEN Singapore

Alquest Marketing  
66, Tannery Lane  
#02-06B Sindo Building  
Singapore 347805  
Tel.: 6749 9359  
Fax.: 6749 9360  
E-mail: jason@alquest.com.sg  
Web.: www.alquest.com

## ANDERSEN Slovenia

Tramontana  
Tesovnikova 88  
1000 Ljubljana  
Tel.: 01 568 37 32  
Fax: 01 565 48 88  
E-mail: info@tramontana-net.si  
Web: www.tramontana-net.si

## ANDERSEN South Africa

Manex & Power Marine  
5 Industry Street  
P.O. Box 173  
Paarden Eiland 7420 Cape Town  
Tel.: 021 511 7292  
Fax: 021 510 1487  
E-mail: manex@manex.co.za  
Web: www.manex.co.za

## ANDERSEN Spain/Mallorca

Yacht Riggers Mallorca, s.l.  
Passeig República Argentina, 34 baixos  
E-07200 FELANITX (Mallorca)  
Tel.: 971 58 41 30  
Fax: 971 58 41 31  
E-mail: info@yachtriggers.com  
Web: www.yachtriggers.com

## ANDERSEN Spain/Barcelona

Pertrechos Nauticos S.L.  
Buscarons, 6 bj. local 2  
08022 Barcelona  
Tel.: 93 418 66 32  
Fax.: 93 418 56 48  
info@pertrechosnauticos.com  
www.pertrechosnauticos.com

## ANDERSEN Sweden

Navimo Nordic AB  
Lundenvägen 2  
S-473 31 Henån  
Tel.: 0304 360 60  
Fax: 0304 307 43  
E-mail: info@navimo.se  
Web: www.navimo.se

## ANDERSEN Switzerland

Robert Lindemann KG  
Wendenstrasse 455  
D-20537 Hamburg  
Tel.: 040 21 11 97 0  
Fax: 040 21 11 97 30  
E-mail: info@lindemann-kg.de  
Web: www.lindemann-kg.de

## ANDERSEN Trinidad & Tobago

Soca Sails  
Crewsinn Marina, Chaguaramas  
P.O. Box 608  
Trinidad, West Indies  
Tel.: 868 634-4178  
Fax: 868 634-1044  
E-mail: info@socasails.com  
Web: www.socasails.com

## ANDERSEN Turkey

Yenisehir Mahallesi  
Bahar Sokak No: 12/9 Blok A2-6  
34912 Pendik, Istanbul  
Tel.: 533 399 99 77  
E-mail: turkey@andersenwinches.com  
Web: www.andersenwinches.com

## ANDERSEN Ukraine

Yachtglanz - Marine Equipment  
Portugiesischer Weg 14  
D-44143 Dortmund  
Tel.: +49 (0)231 996 48 35  
Fax: +49 (0)231 530 74 47  
E-mail: info@yachtglanz.com  
Web: http://www.yachtglanz.com/

## ANDERSEN U.S.A.

Navimo USA, Inc.  
7455 16th street E  
Suite 107  
Sarasota  
FL 34243  
U.S.A.  
Toll-free tel. 866.383.1888  
Tel.: 941.360.1888  
Toll-free fax 866.214.1400  
Fax: 941.360.1648  
E-mail: info@navimousa.com  
Web: www.navimousa.com

Andersen Winches, Jaegervaenget 36, DK-7100 Vejle, Denmark – tel. +45 76427777 – fax +45 76427788  
e-mail: info@andersenwinches.com web: www.andersenwinches.com

Sail Handling by



Varenr. 710476  
02-03-2010