

# Swivel Cleat Bases



RF67

3 x 5mm (3/16")



RF58

3 x 5mm (3/16")



RF60

4 x 5mm (3/16")

2 x 5mm (3/16")



RF59

RF2358



RF20175

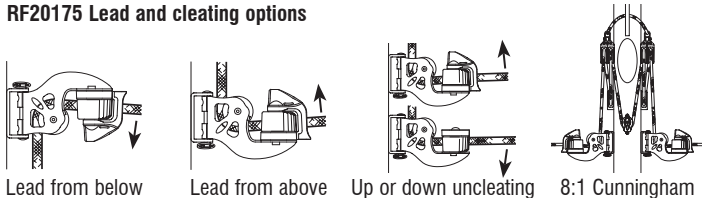
2 x 4mm (5/32")



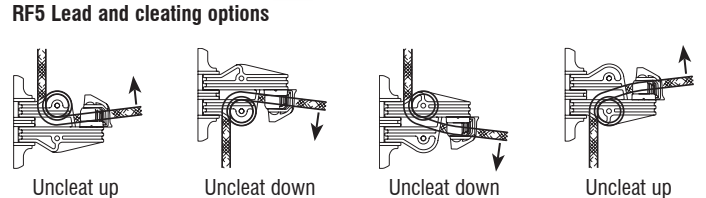
RF5

2 x 5mm (3/16")

## RF20175 Lead and cleating options



## RF5 Lead and cleating options



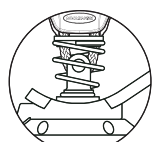
- ✓ Swivel cleat bases permit easy cleating and releasing from any angle.
- ✓ The RF60 features adjustable stops to limit rotation, which can be removed to allow full 360° rotation.
- ✓ Cleating plates are heavy gauge alloy for stiffness and minimum distortion under load.
- ✓ Deadeyes have flared stainless steel liners for minimum rope wear and long service life.
- ✓ The RF5 is manufactured in lightweight fibre reinforced composite materials – position of sheave can be changed to feed control line from below.

- ✓ Sheet leads and halyards on dinghies and catamarans.
- ✓ Cunningham, vang, foreguy, pole topping lift and other control lines on larger yachts.
- ✓ Alloy cleating arms.
- ✓ Fibre reinforced Nylon body (RF5).
- ✓ Grade 316 stainless steel fixtures.

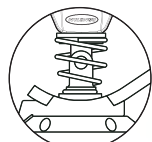
PRODUCT No.	DESCRIPTION	SUITS ROPE mm	WEIGHT g	SUITS ROPE in.	WEIGHT oz
RF5	Swivelling cleat platform. 28mm (1 1/8") diam. ball bearing sheave, small T-Cleat and fairlead. M.W.L. 150kg (330lb); B.L. 300kg, (660lb). <sup>*1</sup>	2 – 8	100	3/32 – 5/16	3.5
RF58	Swivelling deadeye, cleat unit. Aluminium arm, 360° rotation, medium T-Cleat & fairlead.*2	3 – 12	171	1/8 – 1/2	6.0
RF59	Deadeye with stainless steel liner. 14mm (9/16") hole clearance.	Up to 14	17	Up to 9/16	0.6
RF60	Swivelling deadeye, cleat unit. Aluminium arm, adjustable rotation stops, medium C-Cleat & fairlead.*2	3 – 12	257	1/8 – 1/2	9.1
RF67	Swivelling deadeye, cleat unit. Aluminium arm, 360° rotation, small T-Cleat & fairlead.*3	2 – 8	121	3/32 – 5/16	4.3
RF2358	Deadeye with stainless steel liner. 16mm (5/8") hole clearance.	Up to 16	26	Up to 5/8	0.9
RF20175	Swivelling cleat platform. 20mm (3/4") sheave with stainless steel ball bearings, small T-Cleat & fairlead. M.W.L. 150kg (330lb); B.L. 300kg, (660lb). <sup>*1</sup>	2 – 6	79	3/32 – 1/4	2.8

<sup>\*1</sup> Load ratings are for the cleat base assembly and are based upon a 90° change in line direction. Line load ratings should be limited to: M.W.L. 100kg (220lb), B.L. 200kg (440lb).  
<sup>\*2</sup> Line load ratings should be limited to: M.W.L. 150kg (330lb), B.L. 300kg (660lb).  
<sup>\*3</sup> Line load ratings should be limited to: M.W.L. 100kg (220lb), B.L. 200kg (440lb).

## Swivel Cleat Bases



Orbit Block™



Conventional block



RF7

4 x 5mm (3/16")



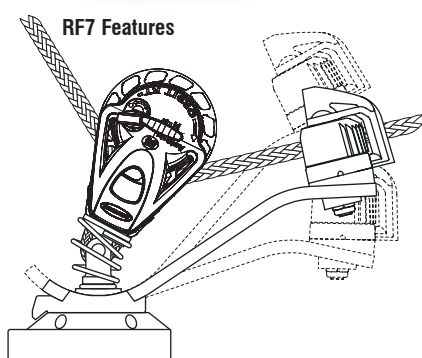
RF7KIT

Spring not included



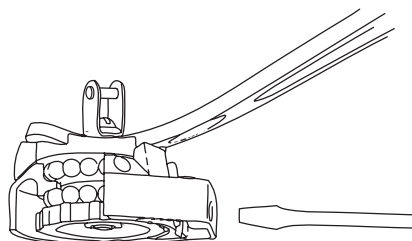
RF8

4 x 5mm (3/16")

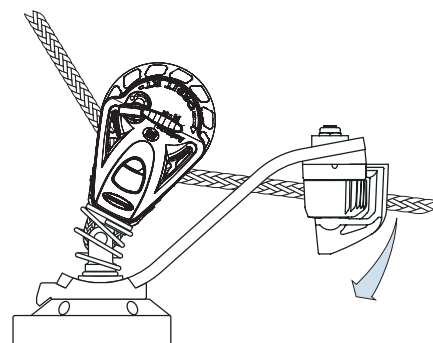


## RF7 Features

Height adjustable arm for optimum cleating angle.



Twin ball bearing race minimises friction. Adjustable ratchet system prevents the arm from falling to leeward.



Cleat and wedge kit can be mounted upside down to help achieve the optimum cleating angle or suit downward uncleating if preferred.

- ✓ Adjustable height and angle of RF7 cleating arm for optimum control.
- ✓ Twin rows of ball bearings support the RF7 cleating arm. Stops are provided to limit travel to 260°, and can be removed to allow full 360° rotation.
- ✓ An adjustable ratchet in the RF7 base allows the cleating arm to remain in its most recently used position. The ratchet can be turned off for free swivelling.
- ✓ Fork fittings have a 5mm pin to permit direct attachment to the head post of a block (ie. not using the shackle).
- ✓ Cleat mounting can be reversed on both RF7 and RF8, to fit under the cleating arm for downward release action.

- ✓ The swivel arm of the RF8 is fabricated from 8mm (5/16") alloy plate for heavy duty applications.
- ✓ RF7 suits traditional post/shackle head blocks and Dyneema® Link head Orbit Blocks™
- ✓ Mainsheet systems on dinghies and sportsboats to 8m (26ft).
- ✓ Alloy cleating arms.
- ✓ Fibre reinforced Nylon base (RF7).
- ✓ Grade 316 stainless steel fittings.

PRODUCT No.	DESCRIPTION	M.W.L.	B.L.	WEIGHT	M.W.L.	B.L.	WEIGHT
		kg	kg	g	lb	lb	oz
RF7	Ball bearing swivelling cleat base, medium C-Cleat, 5mm (3/16") pin*	260	520	342	570	1145	12.1
RF7KIT	Adaptor kit to convert pre-2008 model RF7 products to suit Orbit Block™ Dyneema® link attachment	-	-	18	-	-	0.6
RF8	Swivelling cleat base, medium C-Cleat, 5mm (3/16") pin*	300	600	370	660	1320	13.1

\*Load ratings are for the cleat base assembly, and are based on a 120° change in line direction. Line load ratings should be limited to: M.W.L. 175kg (385lb), B.L. 350kg (770lb).